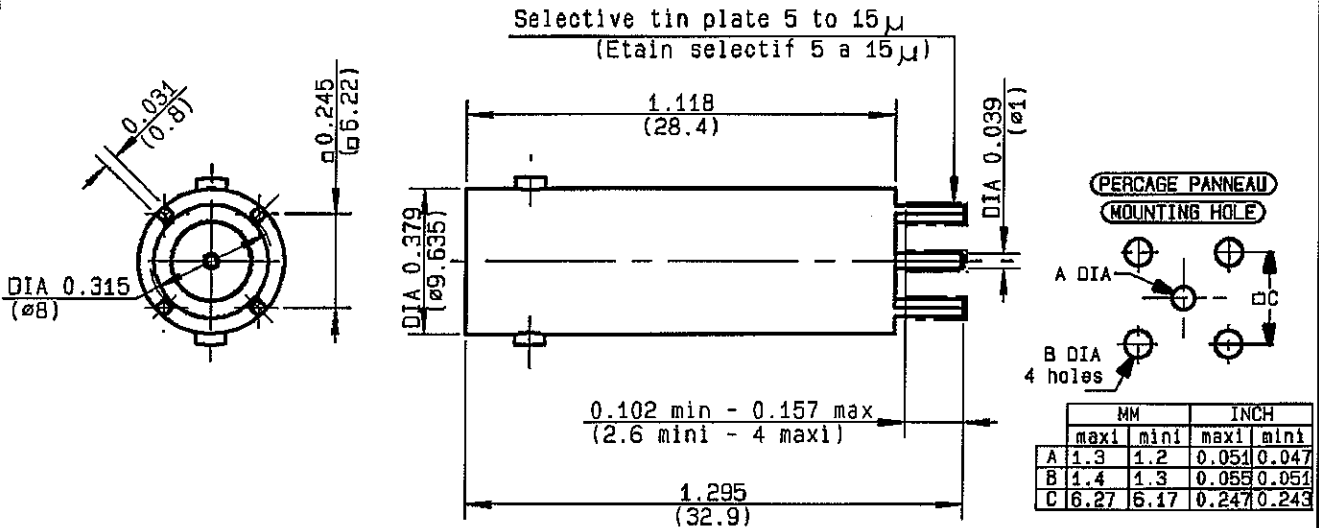


**STRAIGHT JACK RECEPTACLE FOR PCB
SOLDER LEGS - PACK 100**

R141.426.265
SERIES BNC-COM



NOMINAL IMPEDANCE	50 Ω
FREQUENCY RANGE	0-1.5 GHz
TEMPERATURE RATING	-35/+70 °C
V.S.W.R	1.08* + .005 x F(GHz)Maxi
RF INSERTION LOSS	.025* √F(GHz) dB Maxi
VOLTAGE RATING	500 Veff Maxi
DIELECTRIC WITHSTANDING VOLTAGE	1500 Veff Mini
INSULATION RESISTANCE	5000 MΩMini
HERMETIC SEAL	NA Atm.cm ³ /s
LEAKAGE (pressurized only)	NA
MECHANICAL DURABILITY	100 Cycles
WEIGHT	9.4 gr
SPECIFICATION	

CABLES :

OTHERS CHARACTERISTICS

*** Coaxial Transmission Line Only**

CABLE RETENTION	NA	N Mini
CENTER CONTACT RETENTION		
Axial force - mating end	15	N Mini
Axial force - opposite end	15	N Mini
Torque	NA	cm.N Mini
RECOMMENDED TORQUES		
Mating	NA	cm.N
Panel nut	NA	cm.N
Clamp nut	NA	cm.N

CONNECTOR PARTS:

MATERIALS

FINISH

(all values are given in micrometers)

BODY	BRASS
OUTER CONTACT	
CENTER CONTACT	BRASS
INSULATOR	PTFE
GASKET	
OTHERS PIECES	

NICKEL 2

GOLD 0.2 OVER NICKEL 2

LELEU

ISSUE
0512 B

CREATION DATE
24/06/1997

FILE PART-NUMBER
96-0130-525



RADIALL®

The information given here is subject to change without notice.
Design changes may be in order to improve the product.

Connect to the future